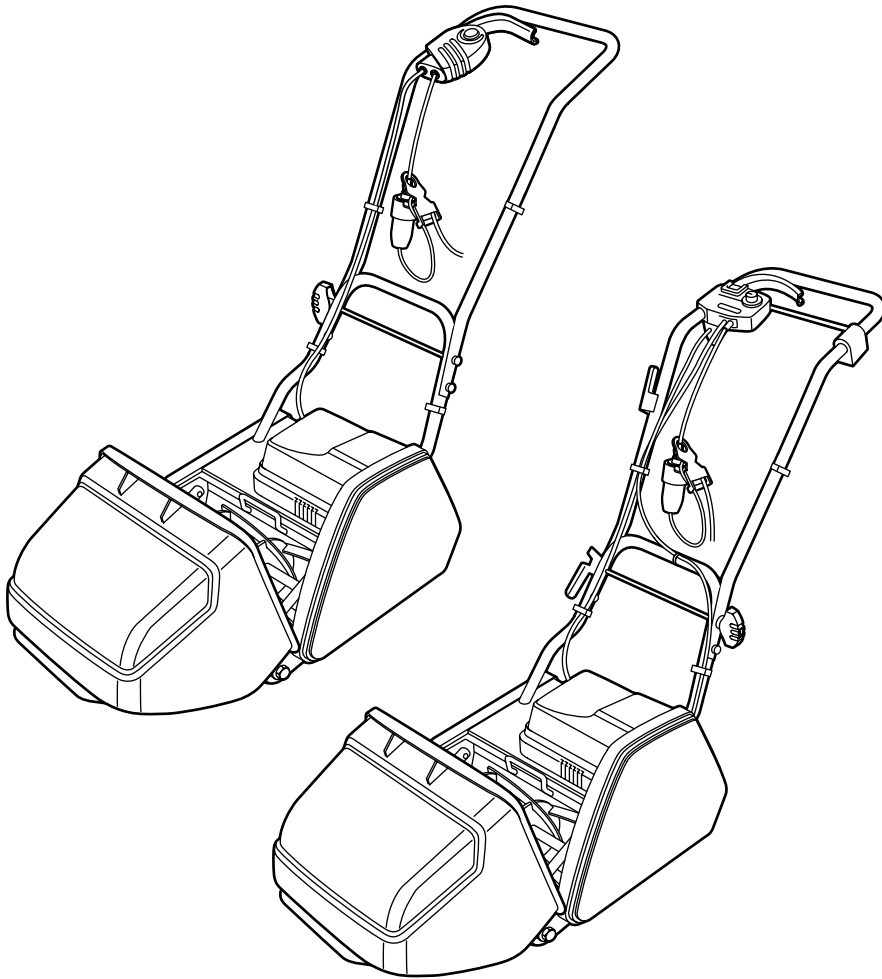


ALLETT

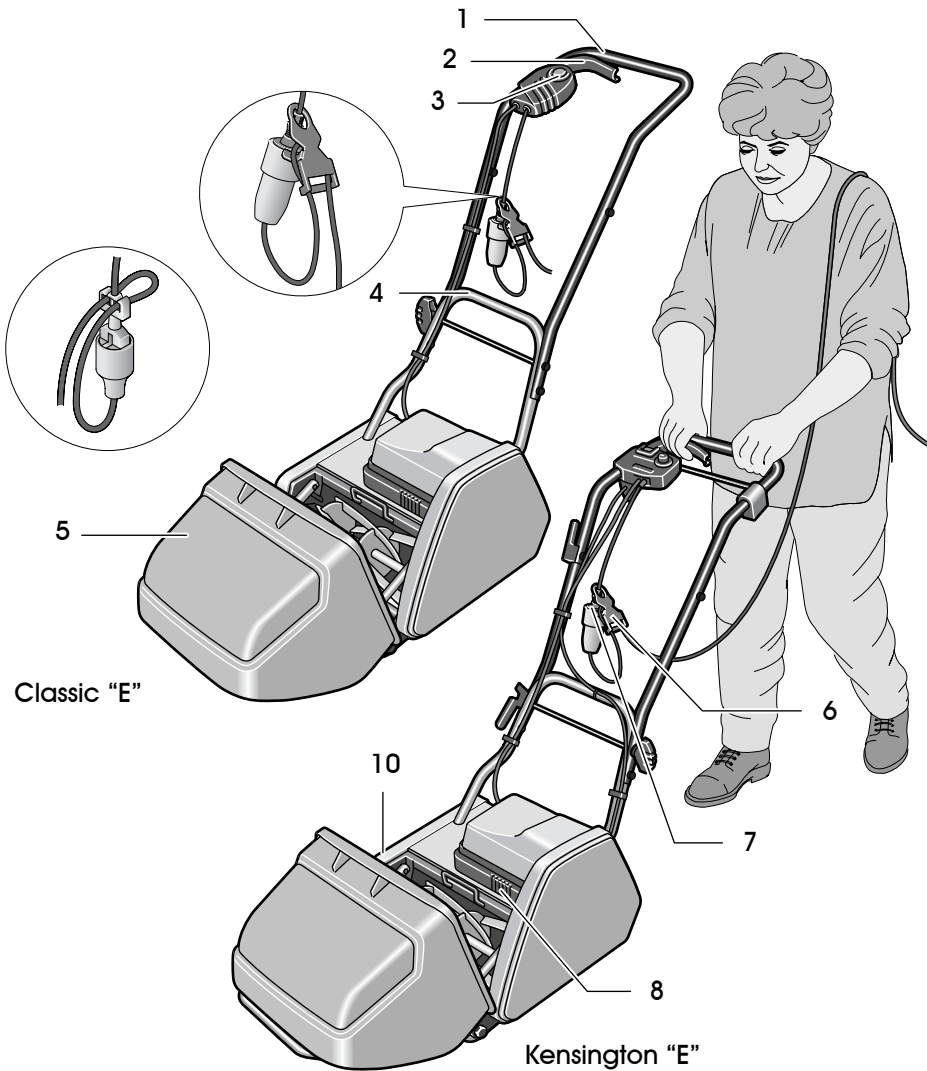


Qc electric cylinder mower OPERATING INSTRUCTIONS



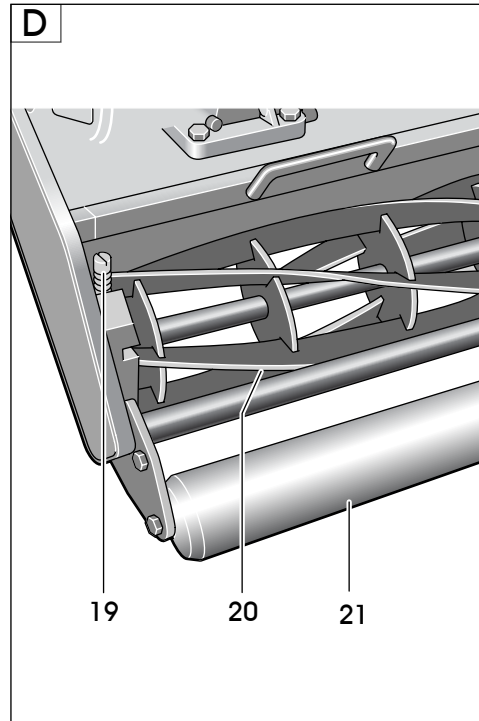
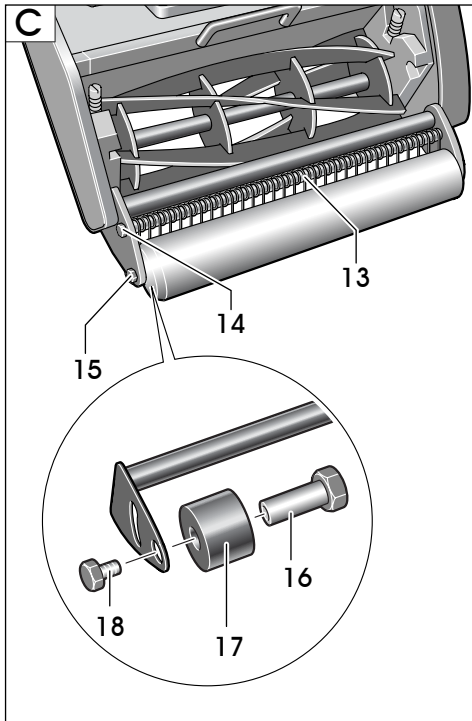
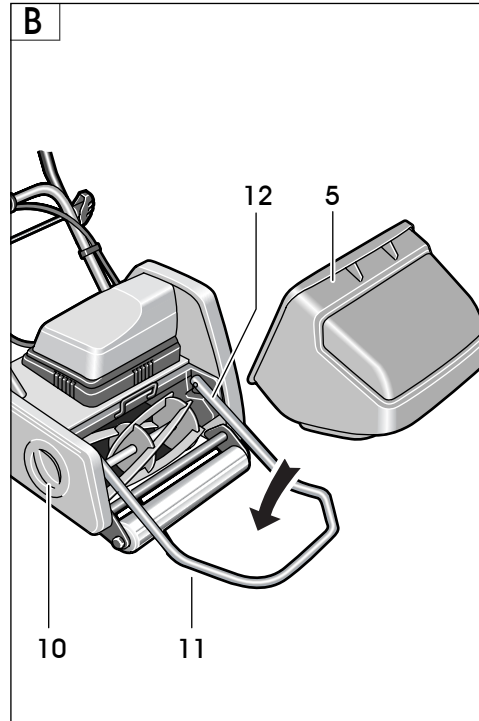
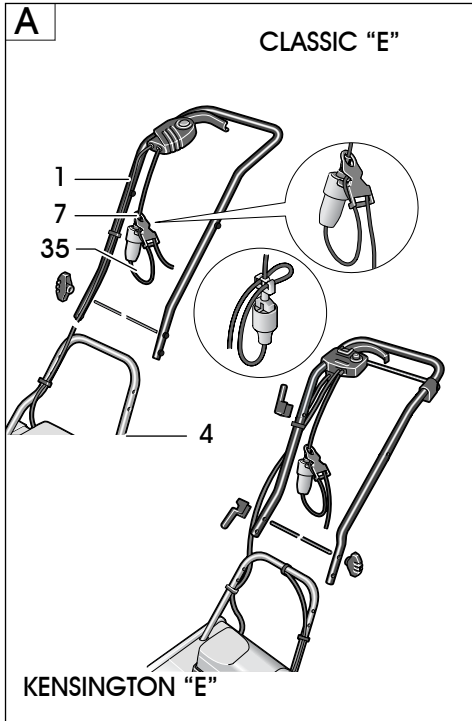
CE				xxxx kg
			IPX4	XXXX 1/min
TYPF016xxxxxx	579	230V ~ 50/60Hz	XXXXXX	XXXXXX
Made in UK				20xx

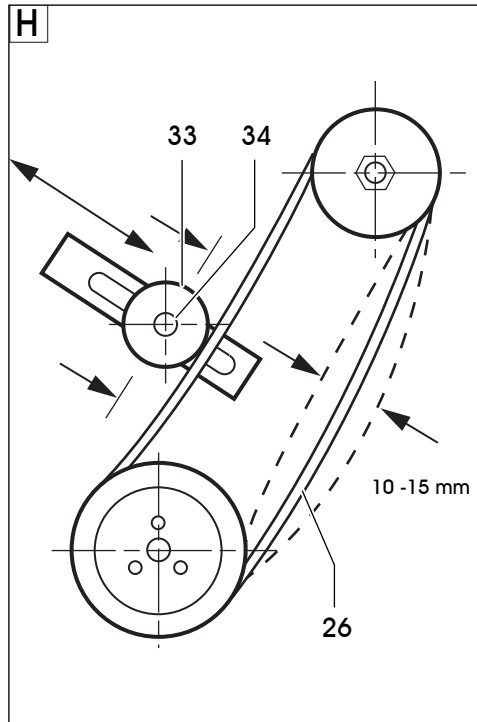
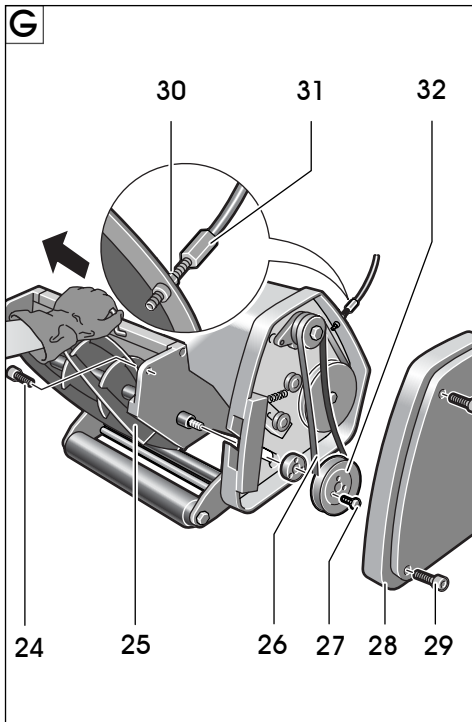
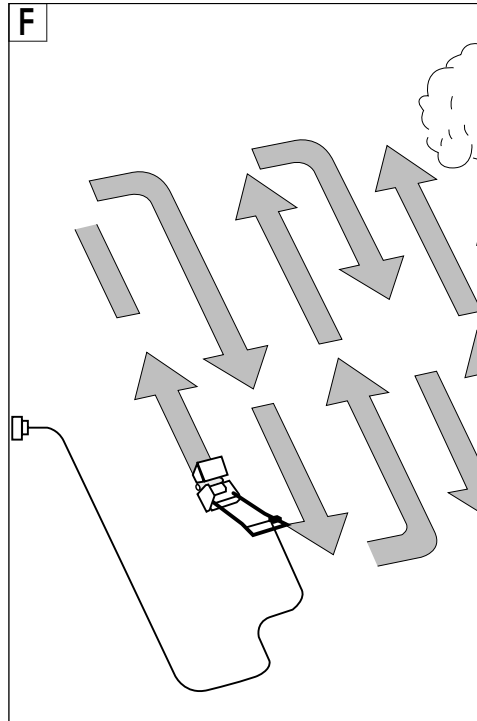
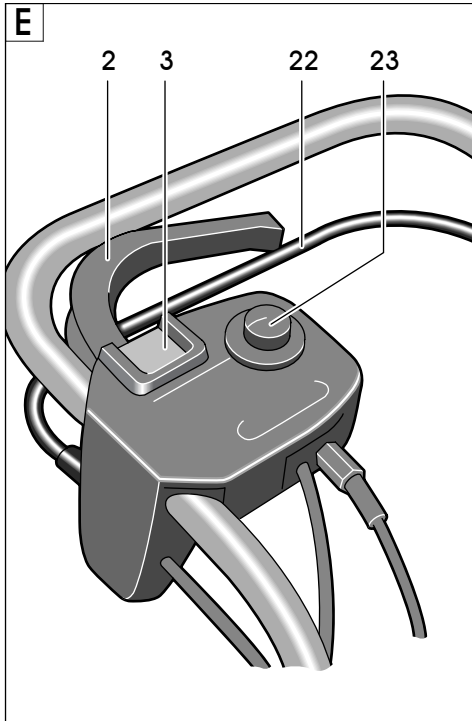
9



Classic "E"

Kensington "E"





Safety Notes



Warning! Read these instructions carefully, be familiar with the controls and the proper use of the lawnmower.

Explanation of symbols on the lawnmower
General hazard safety alert.



Read instruction manual.



Beware of thrown or flying objects to bystanders.



Keep bystanders a safe distance away from the machine.



Switch off and remove plug from mains before adjusting, cleaning or if the cable is entangled and before leaving the lawnmower unattended for any period. Keep the supply flexible cord away from the cutting blades.



Sharp blade(s). Beware of severing toes or fingers.



Wait until all machine components have completely stopped before touching them. The blades continue to rotate after the machine is switched off, a rotating blade can cause injury.



Do not mow in the rain or leave the lawnmower outdoors whilst it is raining.

Never allow children or people unfamiliar with these instructions to use the lawnmower. Local regulations may restrict the age of the operator.

Never mow while people, especially children or pets, are nearby.

The operator or user is responsible for accidents or hazards occurring to other people or their property.

Do not operate the lawnmower when barefoot or wearing open sandals, always wear substantial footwear and long trousers.

Thoroughly inspect the area where the lawnmower is to be used and remove all stones, sticks, wires, bones and other foreign objects.

Before using, always visually inspect to see that the blades, blade bolts and cutter assembly are not worn or damaged.

Replace worn or damaged blades and bolts in sets to preserve balance.

Mow only in daylight or in good artificial light.

Avoid operating the lawnmower in wet grass, where feasible.

Walk, never run.

Mowing on banks can be dangerous:

- Mow across the face of slopes – never up and down.
- Always be sure of your footing on slopes or wet grass.
- Exercise extreme caution when changing direction on slopes.
- Do not mow excessively steep slopes.
- Use extreme caution when stepping back or pulling the lawnmower towards you. Never mow by pulling the mower towards you.

Stop the blades if the lawnmower has to be tilted for transportation when crossing surfaces other than grass and when transporting the lawnmower to and from the area to be mowed.

Do not tilt the machine when starting or switching on the motor, except if the machine has to be tilted for starting in long grass. In this case, do not tilt it more than absolutely necessary and tilt only the part which is away from the operator. Always ensure that both hands are in the operating position before returning the machine to the ground.

Never operate the appliance with defective guards or shields, or without safety device, for example deflectors and/or grass catchers in place.

Switch on the lawnmower according to instructions and with feet well away from the blades.

Disengage all blade and drive clutches before starting the engine.

Keep clear of discharge opening at all times.

Always stand clear of the discharge zone when operating the machine.

Never pick up or carry the lawnmower while the motor is running.

Do not put hands or feet near, or under, rotating parts while the lawnmower is being operated.

Be careful during adjustment of the lawnmower to prevent entrapment of the feet and hands between moving blades and fixed parts of the lawnmower.

Remove the plug from the socket:

- whenever you leave the machine
- before clearing a blockage
- before checking, cleaning or working on the lawnmower
- after striking a foreign object. Inspect the lawnmower for damage and make repairs as necessary
- if the lawnmower starts to vibrate abnormally (check immediately).

Keep all nuts, bolts and screws tight to be sure that the lawnmower is in safe working condition.

Check the grass catcher frequently for wear or deterioration.

Replace worn or damaged parts for safety.

Ensure replacement parts fitted are approved.

Product Specification

Cylinder mower	Classic 12E [&12E Europe]	Kensington 12E [&12E Europe]	Kensington 14E [&14E Europe]
Part number	CLAS12E / 12E-EU	KENS12E / 12E-EU	KENS14 / 14EU
Rated power	340W	340W	340W
Blade width [cm]	30	30	35
Height of cut [mm]	10-35	10-35	10-35
Grassbox capacity [l]	32	32	32
Self-propelled	-	•	•
Rake	-	-	•*
Weight [kg]	23.5	24.5	28
Protection class	□ / II	□ / II	□ / II
Serial number	See serial no 9 [rating plate] on machine		

* GB models only

Intended Use

This product is intended for domestic lawn mowing.

Introduction

This manual gives instructions on the correct assembly and safe use of your machine. It is important that you read these instructions carefully.

When fully assembled the machine weighs approximately 23.5 – 28 kg. If necessary, obtain assistance to remove from packaging.

Take care when carrying the mower to the lawn, as the blades are sharp.

Delivered Items

Carefully remove the machine from its packaging and check that you have all the following items:

- Lawnmower with handle assembly
- Handle spindle (Kensington models only)
- Wing nuts
- Grassbox
- Operating instructions

When parts are missing or damaged, please contact the dealer for assistance. We also have a network of Approved Service Agents who you can contact for service and advice both within and outside the period of guarantee.

Operating Controls

- 1 Handlebar
- 2 Switch lever
- 3 Securing knob
- 4 Handle bottom
- 5 Grassbox
- 6 Cable restraint**
- 7 Mains plug**
- 8 Ventilation slots
- 9 Serial Number
- 10 Height of cut knob

**Country specific

Not all of the accessories illustrated or described are included as standard delivery.



For Your Safety

Warning! Switch off, remove plug from mains before adjusting, cleaning or if cable is cut, damaged or entangled.

The blades continue to rotate for a few seconds after the machine is switched off.

Caution – do not touch rotating blades.

Electrical Safety

Your machine is double insulated for safety and requires no earth connection. The operating voltage is 230 V AC, 50 Hz (for non-EU countries 220 V, 240 V as applicable). Only use approved extension cables. Contact your approved Service Centre for details.

Extension cords/leads should only be used if they comply with H05VV-F, H05RN-F types or IEC type design (60227 IEC 53, 60245 IEC 57).

It is recommended for increased electrical safety to use a Residual Current Device (RCD) with a tripping current of not more than 30 mA. Always check your RCD every time you use it.

If you want to use an extension cable when operating your product, only the following cable dimensions should be used:

- 1.0 mm² max length 40 m
- 1.5 mm² max length 60 m
- 2.5 mm² max length 100 m

Note: If an extension cable is used it must be earthed and connected through the plug to the cable of your supply network in accordance with prescribed safety regulations.

For products not sold in GB:

WARNING: For safety, it is essential that the mains plug 7 attached to the product is fitted to the power supply cable 35.

The couplings of connection leads must be protected against splashes and the coupling sockets on the leads must be made of rubber or coated with rubber.

Fixing means for the connection leads must be used.

The connection lead must be inspected for signs of damage at regular intervals and may only be used if in perfect condition.

If the supply cord is damaged, it must be replaced by an approved Service Centre.

Products sold in GB only: Your mower is fitted with an approved 13 A (BS 1363/A) electric plug and is protected by a 13 A fuse (ASTA Approved to BS 1362).

If the fitted plug is not suitable for your socket outlets, it should be cut off and an appropriate plug fitted in its place by an authorized customer service agent.

The severed plug must be disposed of to avoid a possible shock hazard and should never be inserted into a 13 A socket elsewhere.

Assembly

A Unfold the top handle 1 and tighten wing-nut.

Note: Ensure that the cable clips supplied are used to fix the cable to the handle.

The blades will require adjustment – see “Adjusting Blades”.

Attach cable to cable restraint 6 ensuring that sufficient cable slack is available. (Euro models only)

B Grassbox

Spring the grassbox cradle 11 into pivot holes 12.

Attach/remove the grassbox as shown.

B Height of cut adjustment

Your machine has six settings which give the following approximate height of cut:

1 = 9 mm 2 = 13 mm 3 = 18 mm

4 = 25 mm 5 = 32 mm S = Scarifier

Position “S” should only be used with the Scarifier Cartridge accessory (purchased separately).

To adjust the height of cut:

Tilt the mower to take the weight off the front roller.

Push the height of cut knob 10 in and turn to the desired position.

For the first cutting of the season, a high cutting adjustment should be selected.

(Kensington 14 S,GB models only)

The comb will also require adjustment, See “Comb Adjustment”.

C Comb Adjustment

(Kensington 14 S,GB models only)

Your mower is fitted with an adjustable comb 13 which can be brought into use on the lower heights of cut. It is set by loosening the screws 14 and rotating the comb until the tines just touch the ground. You may need to re-adjust after changing the height of cut. Take care not to set the comb too deep, as this could cause damage to either your mower or lawn.

C Cutting Long Grass Using Side Wheel Kit

(Kensington models only)

Your mower is fitted with a full width front roller which is suitable for normal smooth lawns. For cutting longer, coarse grass a side wheel kit can be fitted. To fit this kit proceed as follows:

1. Stop, remove plug from the power supply and remove the grass box.
2. Tilt the mower back and wedge securely.
3. Remove the front roller/comb assembly by removing screw 14 and slackening nut 15 on both sides.
4. Fit the side wheel, space tube on to the side wheels spindle.
5. Fit each side wheel assembly on both sides of the roller brackets as shown and fix with bolt 18.

Refit the full width roller by following steps 1 - 4 in reverse.

E Starting and Stopping



The blade continues to rotate for a few seconds after the machine is switched off.

Allow the motor/blade to stop rotating before switching "on" again.

Do not rapidly switch off and on.

To aid starting push handle down to lift front wheels.

Starting:



1 Press and hold the safety button 3.

2 Squeeze the switch lever 2 towards the handle.

3 Release the safety button 3.

Stopping:

Release the switch lever 2.

Engaging rear roller (self propelled models only)

1. Start motor.
2. Gradually squeeze the drive control lever 22 towards the top handle 1.
3. Adjust the speed as required by moving the speed control knob 23 between 1 (min) and 6 (max.).
4. To stop, release the drive control lever 22 or switch lever 2.

Mowing

Place the lawnmower on the edge of the lawn, as close to the power point as possible. Work away from the power point as in figure F. Then at right angles.

Position the cable to opposite side (already cut) at the end of each turn.

The blades may require adjustment, particularly before first use – see adjusting blades.

When mowing do not allow the motor to labour particularly in heavy conditions.

When the motor labours the speed of the motor drops and you will hear a change in the motor sound, when this occurs stop mowing, release the switch lever and raise the height of cut. Failure to do so could damage the machine.

Maintenance



Stop, remove plug from the power supply and remove the grassbox.

Note: To ensure long and reliable service, carry out the following maintenance regularly.

Regularly check for obvious defects such as loose, dislodged or damaged blade, loose fixings, and worn or damaged components.

Check that covers and guards are undamaged and correctly fitted. Carry out necessary maintenance or repairs before using.

If the mower should happen to fail despite the care taken in manufacture and testing, repair should be carried out by an authorised customer service agent.

For all correspondence and spare parts orders, always include the serial number from the nameplate of the machine!

B D Adjusting the Blade

The cutter should be adjusted if the grass is not cut cleanly and evenly.

1. Stop, remove plug from the power supply and remove the grass box.
2. Tilt the mower back and wedge securely.
3. Remove grassbox cradle 11.
4. Turn adjuster screw 19 clockwise a little at a time.

Note: The blades are correctly adjusted when the cutting cylinder 20 lightly brushes the bottom blade across the full width as the cylinder is turned.

The blades act like a pair of shears, as a test, correctly adjusted blades will cut a piece of good quality writing paper across the width of the blade.

Once correctly adjusted refit grassbox cradle 11.

B G H Removing/replacing Qc Cylinder Cartridge

The mower is fitted with a Qc (quick change) cartridge which can be removed and taken to Approved Service Agent for sharpening. To remove the cartridge:

Stop, remove plug from the power supply and remove the grass box.

It is advisable to wear a pair of gardening gloves (not supplied).

Remove grassbox cradle 11.

Remove the drive cover 28 by removing screws 29.

Remove cartridge retaining screws 24 on both sides.

Remove pulley 32 and belt 26 by removing 3 screws 27.

Pull the cutting cartridge unit 25 out using the handle. Obtain assistance if required.

Replace the cartridge and fit retaining screws 24.

Slacken the idler pulley screw 34.

Refit the pulley 32 and belt 26.

Adjust the idler pulley 33 against the belt 26 and tighten idler pulley screw 34.

Refit the drive cover 28.

This method is the same for fitting or removing cartridge accessories.

g Adjusting Drive Cable (self propelled models only)

If the mower doesn't drive adequately it may be necessary to adjust the drive cable as follow:

Slacken nut 30, turn adjuster 31 a few turns anti-clockwise.

Retighten nut 30.

When correctly adjusted, drive to the rear roller is engaged when the drive control lever 22 is squeezed against the handle top 1 or disengaged when released.

After Mowing/Storage

Clean the exterior of the machine thoroughly using a soft brush and cloth. Do not use water, solvents or polishes. Remove all grass and debris, especially from the ventilation slots 8.

Turn the machine on its side and clean the blade area. If grass cuttings are compacted in the blade area, remove with a wooden or plastic implement.

Store the machine in a dry place. Do not place other objects on top of the machine. To save space, fold up the handle fully.

Ensure cables are not trapped when folding/unfolding top handle, do not drop the handle .

Disposal

Product, accessories and packaging should be sorted for environment-friendly recycling.

Only for EC countries:



Do not dispose of power tools into household waste!

According to the European Directive 2002/96/EC on waste electrical and electronic equipment and its incorporation into national law, power tools that are no longer suitable for use must be separately collected and sent for recovery in an environmentally-friendly manner.

Fault Finding

The following table gives checks and actions that you can perform if your machine does not operate correctly. If these do not identify/remedy the problem, contact your service agent.

Warning: Switch off and remove plug from mains before investigating fault.

Symptom	Possible Cause	Remedy
Machine fails to operate	Power turned off Mains socket faulty Extension cable damaged Fuse faulty/blown	Turn power on Use another socket Inspect cable, replace if damaged Replace fuse
Machine functions intermittently	Extension cable damaged Machines internal wiring damaged	Inspect cable, replace if damaged Contact Service Agent
Machine labours or belt squeals	Height of cut too low Blades adjusted too tight	Increase height of cut (see "Height of Cut Adjustment") Adjust blades
Machine leaves ragged finish	Cutting blade blunt Blades off cut	Contact Service Agent Adjust blades
Cutting blade not rotating	Cutting blade obstructed Blades too tight Cutting blade damaged Plastic gears slipping or damaged	Clear obstruction Slacken off blade adjuster screws Contact Service Agent Contact Service Agent
Land drive does not engage (self propelled models only)	Incorrect adjustment Cable damage	Adjust cable Contact Approved Service Agent
Excessive vibration/ noise	Cutting blade damaged Cutting blades not adjusted evenly Plastic gears have failed to protect blade from damage	Contact Service Agent Adjust blades
Poor collection	Mowing in wet conditions Belt slipping	Allow grass to dry

Service

Turfmech Machinery Ltd
Hangar 5 - New Road
Hixon - Staffordshire ST18 0PJ England
Helpline: 0906 633 0934
Calls cost £1.53 per minute + network extras.
Bill payers only - 18+. Calls are recorded.
Provider: A2B, 0870 046 0138
Hours of service are 8am-5pm Mon-Fri / 10am-5pm Sat-Sun
Web helpline: www.mowerhelp.com

Declaration of Conformity

We: Turfmech Machinery Ltd
Of Hangar 5, New Road, Hixon, Staffordshire, ST18 0PJ, UK
Declare that equipment: Category 32 electric lawn trimmer/mower conforms to the essential requirements of the following directives and their amendments: 2004/108/EC, 2006/42/EC, 2000/14/EC and has been designed and manufactured to the following standards: BS EN 836, BS EN 60335.

Typically the A-weighted noise level of the product is:

Model number	Sound pressure level	Sound power level	Uncertainty (K)	Guaranteed sound power level 2000/14/EC
Classic12E	79 dB(A)	90dB(A)	4 dB	94dB(A)
Kensington 12E	79 dB(A)	90dB(A)	4 dB	94dB(A)
Kensington 14E	79 dB(A)	90dB(A)	4 dB	94dB(A)

Wear hearing protection!

Vibration emission values (triaxial vector sum) determined according to BS EN 836

Model number	Vibration	Uncertainty (K)
Classic 12E	2.5 m/s ²	1.5 m/s ²
Kensington 12E	2.5 m/s ²	1.5 m/s ²
Kensington 14E	2.5 m/s ²	1.5 m/s ²

Notified body: AV Technology Ltd, Avtech House, Arkle Avenue, Stanley Green Trading Estate, Handforth, Cheshire, SK9 3RW
Technical file at: Turfmech Machinery Ltd, Staffordshire, UK

I hereby declare that the product described under "technical data" has been tested and found to comply with the relevant sections of the above referenced specifications. The unit complies with all essential requirements of the directives.

Place: Stafford, July 2011

Signature:



Position: Managing Director

Guarantee

Turfmech Machinery Ltd guarantees this product against manufacturing defects. We will repair (or replace at our option) if a manufacturing defect occurs within the guarantee period as long as it has not been subjected to rental/hire use.

The guarantee period for domestic use is:

Classic - 1 year parts and labour
Kensington - 2 years parts and labour

For the purpose of this guarantee:

Non-domestic use means all other uses including, commercial, income producing, but excluding rental/hire use.

To obtain a repair under this guarantee:

- Take your lawnmower to an Approved Service Agent.
- Show your dated proof of purchase.
- Show the guarantee page.

This guarantee does not apply if:

- the product has been resold by original purchaser (this does not apply in the Republic of Ireland), or has been used under hire.
- the product has been modified to change the manufacturers specifications, or if non genuine replacement parts have been fitted.
- if any previous repair was undertaken by anyone other than an Approved Service Agent.
- the fault is due to maladjustment, abuse, neglect or accidental damage.
- the fault is due to lack of lubrication or maintenance.
- damage to any part, particularly the drive or cutting mechanism has been caused by allowing the product to strike solid objects.
- The product develops a fault due to abnormal use.
- Failure is due to normal wear. The following parts are considered as wearing parts. Their life is dependant on regular servicing and they are not therefore, normally covered by the guarantee.

Blades, drive belts, gears, bearings and cables.

The cost of routine maintenance of the product is not covered by the guarantee.

It is in your best interests to follow the Operating Instructions for your mower/scarifier, as a properly cared for product should give many years of excellent service.

Should you require spares always insist on genuine spares. Any damage caused to the product through the fitting of parts not made or approved by Turfmech Machinery Ltd is not covered by the Guarantee.

Your statutory rights are not affected by this guarantee.

Environmental protection

The plastic components are labelled for categorized recycling.

When the time comes to dispose of this product please consider the environment and take it to a recognised recycling facility.

(Please contact your Local Authority for location information.)

Subject to change without notice

NOTES

Your local service dealer